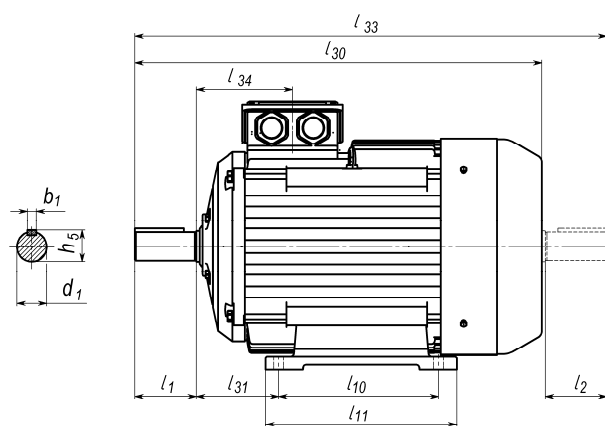
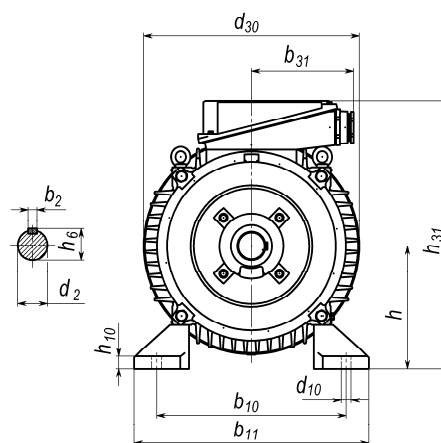


Габаритный чертеж IM 1001 / IM B3



Dimension drawing IM 1001 / IM B3



Привязка мощностей к установочно - присоединительным размерам по стандартам ГОСТ Р 51689

Power depends on mounting and overall dimensions according to GOST R 51689

Размеры в мм.

Dimensions in mm.

Тип Type	Число полюсов No. of poles	l_{30}	l_{33}	h_{31}	d_{30}	l_1	l_2	l_{10}	l_{11}	l_{31}	d_1	d_2	d_{10}	b_1	b_2	b_{10}	b_{11}	b_{31}	h	h_5	h_6	h_{10}
A250S	2	930	1045	615	495	140	110	311	380	168	65	55	24	18	16	406	485	225	250	69.0	59.0	32
A250M	2	930	1045	615	495	140	110	349	420	168	65	55	24	18	16	406	485	225	250	69.0	59.0	32
A250S	4,6,8,12	930	1075	615	495	140	140	311	380	168	75	65	24	20	18	406	485	225	250	79.5	69.0	32
A250M	6,8,12	930	1075	615	495	140	140	349	420	168	75	65	24	20	18	406	485	225	250	79.5	69.0	32
A250M	4	990	1135	615	495	140	140	349	420	168	75	65	24	20	18	406	485	225	250	79.5	69.0	32
A280S	2	1050	1195	645	495	140	140	368	440	190	70	65	24	20	18	457	535	225	280	74.5	69.0	32
A280S	6,8,12	1020	1165	645	495	170	140	368	440	190	80	65	24	22	18	457	535	225	280	85.0	69.0	32
A280S	4	1080	1165	645	495	170	140	368	440	190	80	65	24	22	18	457	535	225	280	85.0	69.0	32
A280M	2	1050	1195	645	495	140	140	419	495	190	70	65	24	20	18	457	535	225	280	74.5	69.0	32
A280M	6,8,12	1140	1285	645	495	170	140	419	495	190	80	65	24	22	18	457	535	225	280	85.0	69.0	32
A280M	4	1260	-	735	605	170	-	419	495	190	80	-	24	22	-	457	535	260	280	85.0	-	32
A315S	2	1230	1405	770	605	140	140	406	524	216	75	65	28	20	18	508	625	260	315	79.5	69	46
A315S	4,6,8,12	1260	1435	770	605	170	140	406	524	216	90	65	28	25	18	508	625	260	315	95.0	69	46
A315M	2	1230	1405	770	605	140	140	457	575	216	75	65	28	20	18	508	625	260	315	79.5	69	46
A315M	B2	1300	1475	770	605	140	140	457	575	216	75	65	28	20	18	508	625	260	315	79.5	69	46
A315M	6,8,12	1260	1435	770	605	170	140	457	575	216	90	65	28	25	18	508	625	260	315	95.0	69	46
A315M	4	1330	1505	770	605	170	140	457	575	216	90	65	28	25	18	508	625	260	315	95.0	69	46
A355SM	2	1475	1635	925	730	170	140	500/560	660	254	85	75	28	22	20	610	715	300	355	90.0	79.5	55
A355ML	2	1620	1800	925	730	170	140	560/630	730	254	85	75	28	22	20	610	715	300	355	90.0	79.5	55
A355SM	4,6,8,12	1515	1725	925	730	210	170	500/560	660	254	100	90	28	28	25	610	715	300	355	106.0	95	55
A355ML	4,6,8,12	1660	1870	925	730	210	170	560/630	730	254	100	90	28	28	25	610	715	300	355	106.0	95	55