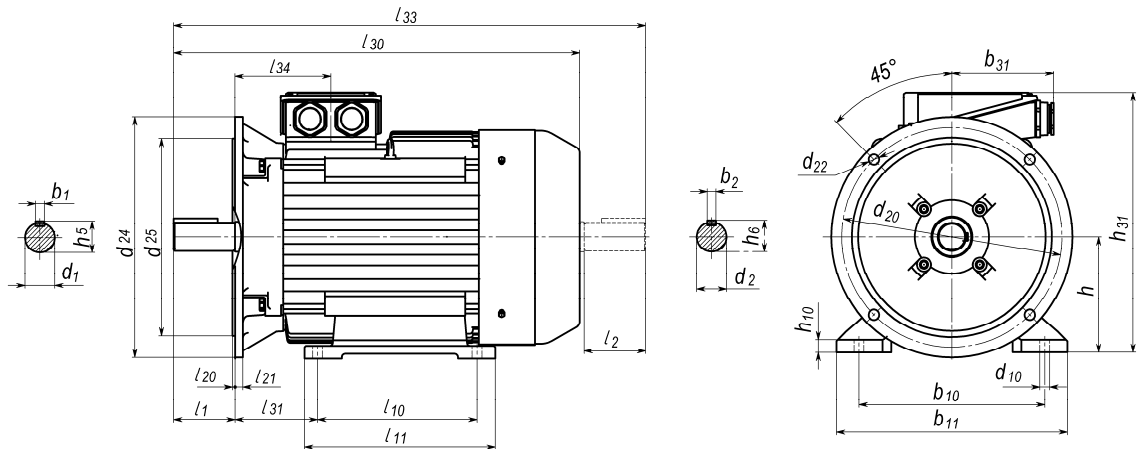


# Габаритный чертеж IM 2001 / IM B35

# Dimension drawing IM 2001 / IM B35



Привязка мощностей к установочно - присоединительным размерам по стандартам **ГОСТ Р 51689**  
 Power depends on mounting and overall dimensions according to **GOST R 51689**

Размеры в мм.

Dimensions in mm.

Тип Type	Число полосов No. of poles	$l_{30}$	$l_{33}$	$h_{31}$	$d_{24}$	$l_1$	$l_2$	$l_{10}$	$l_{11}$	$l_{20}$	$l_{21}$	$l_{31}$	$d_1$	$d_2$	$d_{10}$	$d_{20}$	$d_{25}$	$b_1$	$b_2$	$b_{10}$	$b_{11}$	$b_{31}$	$h$	$h_5$	$h_6$	$h_{10}$	
A250S	2	930	1045	615	550	140	110	311	380	5.0	18	168	65	55	24	500	19	450	18	16	406	485	225	250	69.0	59.0	32
A250M	2	930	1045	615	550	140	110	349	420	5.0	18	168	65	55	24	500	19	450	18	16	406	485	225	250	69.0	59.0	32
A250S	4,6,8,12	930	1075	615	550	140	140	311	380	5.0	18	168	75	65	24	500	19	450	20	18	406	485	225	250	79.5	69.0	32
A250M	6,8,12	930	1075	615	550	140	140	349	420	5.0	18	168	75	65	24	500	19	450	20	18	406	485	225	250	79.5	69.0	32
A250M	4	990	1135	615	550	140	140	349	420	5.0	18	168	75	65	24	500	19	450	20	18	406	485	225	250	79.5	69.0	32
A280S	2	1050	1165	645	660	140	140	368	440	6.0	22	190	70	65	24	600	24	550	20	18	457	535	225	280	74.5	69.0	32
A280S	6,8,12	1020	1135	645	660	170	140	368	440	6.0	22	190	80	65	24	600	24	550	22	18	457	535	225	280	85.0	69.0	32
A280S	4	1080	1135	645	660	170	140	368	440	6.0	22	190	80	65	24	600	24	550	22	18	457	535	225	280	85.0	69.0	32
A280M	2	1050	1165	645	660	140	140	419	490	6.0	22	190	70	65	24	600	24	550	20	18	457	535	225	280	74.5	69.0	32
A280M	6,8,12	1140	1285	645	660	170	140	419	490	6.0	22	190	80	65	24	600	24	550	22	18	457	535	225	280	85.0	69.0	32
A280M	4	1180	-	735	660	170	-	419	495	6.0	22	190	80	-	24	600	24	550	22	-	457	535	260	280	85.0	-	32
A315S	2	1230	1405	770	660	140	140	406	524	6.0	22	216	75	65	28	600	24	550	20	18	508	625	260	315	79.5	69	46
A315S	4,6,8,12	1260	1435	770	660	170	140	406	524	6.0	22	216	90	65	28	600	24	550	25	18	508	625	260	315	95.0	69	46
A315M	2	1230	1405	770	660	140	140	457	575	6.0	22	216	75	65	28	600	24	550	20	18	508	625	260	315	79.5	69	46
A315M	B2	1300	1475	770	660	140	140	457	575	6.0	22	216	75	65	28	600	24	550	20	18	508	625	260	315	79.5	69	46
A315M	6,8,12	1260	1435	770	660	170	140	457	575	6.0	22	216	90	65	28	600	24	550	25	18	508	625	260	315	95.0	69	46
A315M	4	1330	1505	770	660	170	140	457	575	6.0	22	216	90	65	28	600	24	550	25	18	508	625	260	315	95.0	69	46
A355SM	2	1475	1655	925	800	170	140	500/560	660	6.0	25	254	85	75	28	740	24	680	22	20	610	715	300	355	90	79.5	55
A355ML	2	1620	1800	925	800	170	140	500/560	730	6.0	25	254	85	75	28	740	24	680	22	20	610	715	300	355	90	79.5	55
A355SM	4,6,8,12	1515	1725	925	800	210	170	500/560	660	6.0	25	254	100	90	28	740	24	680	28	25	610	715	300	355	106	95	55
A355ML	4,6,8,12	1660	1870	925	800	210	170	560/630	730	6.0	25	254	100	90	28	740	24	680	28	25	610	715	300	355	106	95	55

В двигателях H200-355 количество отверстий  $d_{22}$  - 8

Quantity of the holes  $d_{22}$  in the motors H200-355 are 8