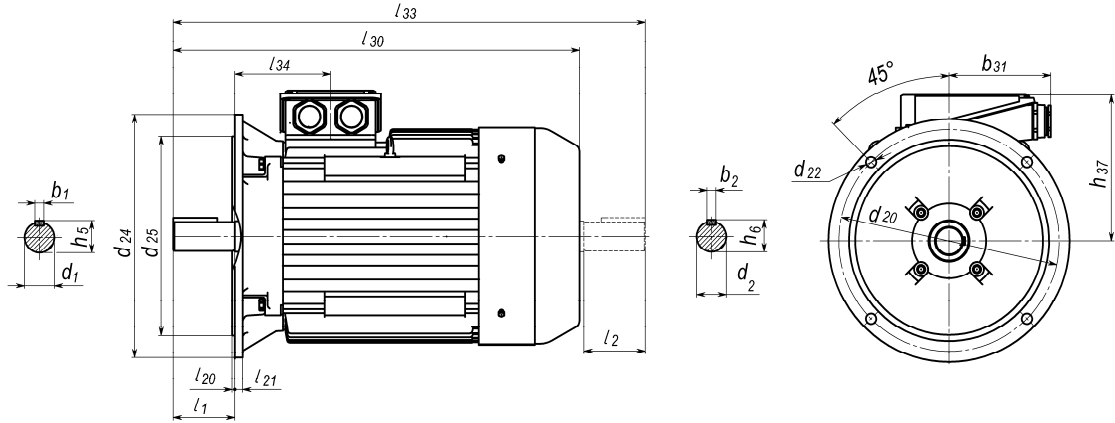


# Габаритный чертеж IM 3001 / IM B5

# Dimension drawing IM 3001 / IM B5



Привязка мощностей к установочно - присоединительным размерам по стандартам **ГОСТ Р 51689**  
 Power depends on mounting and overall dimensions according to **GOST R 51689**

Размеры в мм.

Dimensions in mm.

Тип Type	Число поллюсов No. of poles	ГОСТ l <sub>30</sub>	l <sub>33</sub>	h <sub>37</sub>	d <sub>24</sub>	l <sub>1</sub>	l <sub>2</sub>	l <sub>20</sub>	l <sub>21</sub>	d <sub>1</sub>	d <sub>2</sub>	d <sub>20</sub>	d <sub>22</sub>	d <sub>25</sub>	b <sub>1</sub>	b <sub>2</sub>	b <sub>31</sub>	h <sub>5</sub>	h <sub>6</sub>
A250S	2	930	1045	345	550	140	110	5.0	18	65	55	500	19	450	18	16	225	69.0	59.0
A250M	2	930	1045	345	550	140	110	5.0	18	65	55	500	19	450	18	16	225	69.0	59.0
A250S	4,6,8,12	930	1075	345	550	140	140	5.0	18	75	65	500	19	450	20	18	225	79.5	69.0
A250M	6,8,12	930	1075	345	550	140	140	5.0	18	75	65	500	19	450	20	18	225	79.5	69.0
A250M	4	990	1135	345	550	140	140	5.0	18	75	65	500	19	450	20	18	225	79.5	69.0
A280S	2	1050	1195	345	660	140	140	6.0	22	70	65	600	24	550	20	18	225	74.5	69.0
A280S	6,8,12	1020	1165	345	660	170	140	6.0	22	80	65	600	24	550	22	18	225	85.0	69.0
A280S	4	1080	1165	345	660	170	140	6.0	22	80	65	600	24	550	22	18	225	85.0	69.0
A280M	2	1050	1195	345	660	140	140	6.0	22	70	65	600	24	550	20	18	225	74.5	69.0
A280M	6,8,12	1140	1285	345	660	170	140	6.0	22	80	65	600	24	550	22	18	225	85.0	69.0
A280M	4	1260	-	455	660	170	-	6.0	22	80	-	600	24	550	22	-	260	85.0	-
A315S	2	1230	1405	455	660	140	140	6.0	22	75	65	600	24	550	20	18	225	79.5	69
A315S	4,6,8,12	1260	1435	455	660	170	140	6.0	22	90	65	600	24	550	25	18	225	95.0	69
A315M	2	1230	1405	455	660	140	140	6.0	22	75	65	600	24	550	20	18	260	79.5	69
A315M	6,8,12	1260	1435	455	660	170	140	6.0	22	90	65	600	24	550	25	18	260	95.0	69
A315M	4	1330	1505	455	660	170	140	6.0	22	90	65	600	24	550	25	18	260	95.0	69
A355SM	2	1475	1635	570	800	170	140	6.0	25	85	65	740	24	680	22	20	300	90	79.5
A355ML	2	1620	1800	570	800	170	140	6.0	25	85	75	740	24	680	22	20	300	90	79.5
A355SM	4,6,8,12	1515	1725	570	800	210	170	6.0	25	100	75	740	24	680	28	25	300	106	95
A355ML	4,6,8,12	1660	1870	570	800	210	170	6.0	25	100	75	740	24	680	28	25	300	106	95

В двигателях H200-355 количество отверстий **d 22** - 8

Quantity of the holes **d 22** in the motors H200-355 are 8